

膜片式液泵 Oil-Free Diaphragm Pumps for Liquid

DLP100GDC 系列(Series DLP100GDC)

特点 Features

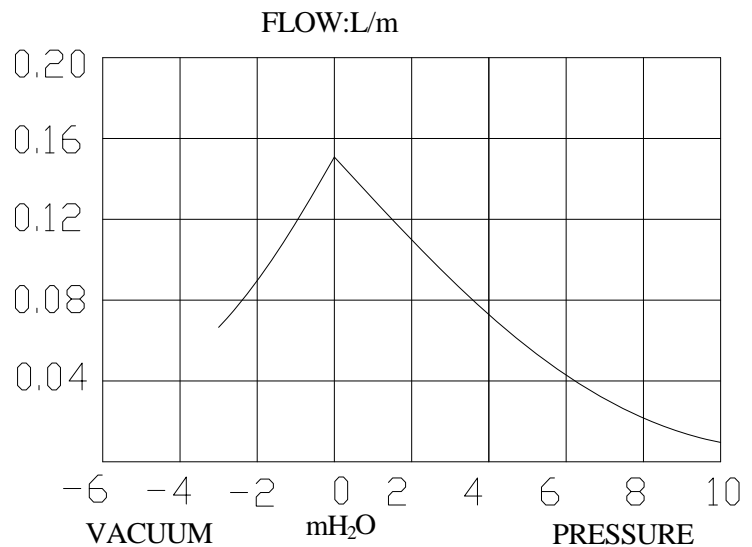
无油润滑 Oil-Free
耐腐蚀性 Corrosion-resistant
免维护 Maintenance Free
低噪音低振动 Low noise level&vibration
可以任何方向安装 Can be mounted in any plane
自吸功能 Self priming

结构紧凑 Compact size
长寿命 Long life
重量轻 Low Weight
低功耗 High efficiency
无刷直流电机 DCB Models
可以干转 Dry running

应用 Typical Applications

生化仪 Bio-Chemical Analyzer
实验室设备 Lab equipment
洗板设备 Microplate Washer
环境检测 Air Sampler
消毒柜 Autoclave
医疗设备 Medical Applications
液体分析 Liquid Analytical
冷却设备 Cooling and Heating

污水处理 Sewage disposal
喷绘打印 Wide-Format Printer
生化仪 Bio-Chemical Analyzer
电解质 Electrolyte
美容设备 Beauty equipment
化学分析 Chemistry analysis
工业应用 Industrial Applications
打印设备 Printing systems (ink)



可根据客户要求定做: We can design according to customer requirements

技术参数 Technical Data

| | | |
|--------------------------|---------|---------|
| 额定电压 Rated voltage | DC12V | DC24V |
| 额定电流 Rated current | 150mA | 100mA |
| 空载流量 Free flowing | 150mL/M | 150mL/M |
| 扬程 Max Press. Height | 10m WC | 10m WC |
| 最大吸力 Max Suction Height | 3m WC | 3m WC |
| 使用温度 Ambient temperature | 0- 40°C | 0- 40°C |
| 重量 Weight | 60g | 60g |

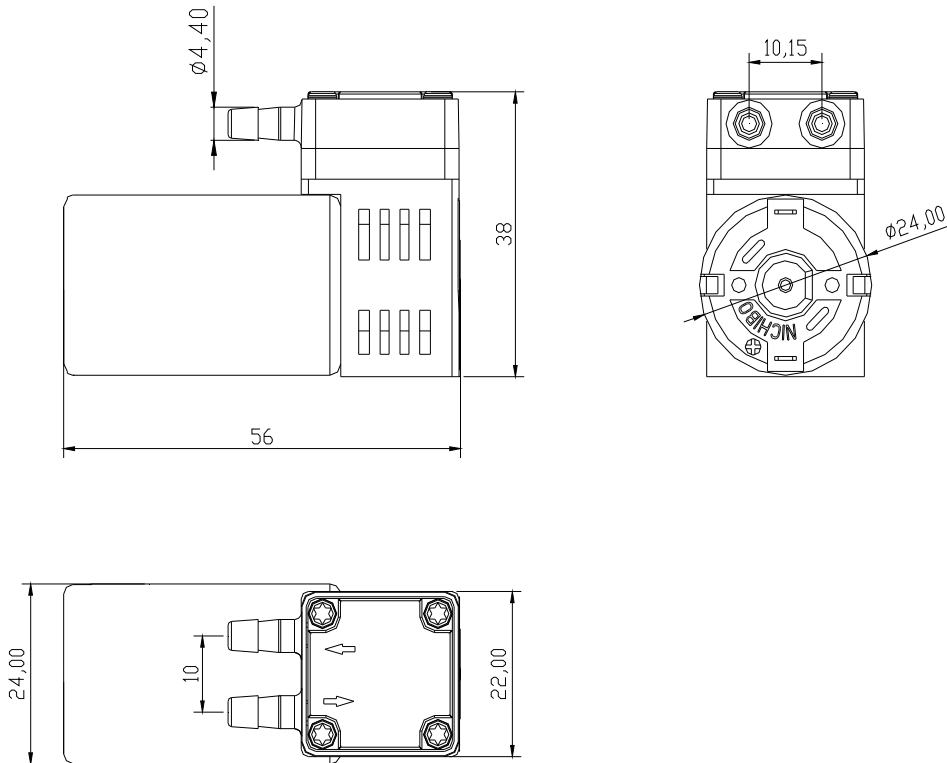
- 可以在任何方向安装使用 Can be mounted in any plane
- 真空和压力均可 applicable as vacuum pump or pressure pump

材质: Parts in contact with medium Option

- 泵头Pump head: PA66 or PPS
- 膜片/阀片Diaphragms, valves: EPDM



外形尺寸: Dimensions(mm)



可根据客户使用要求定做: We can design according to customer requirements