



0532 DC



1032 AC

### Model 0532 series

20 inHg max. vacuum  
0.6 CFM open flow  
15 psi max. pressure

### Model 1032 series

20 inHg max. vacuum  
1.1 CFM open flow  
10 psi max. pressure

### Model 1532 series

20 inHg max. vacuum  
1.5 CFM open flow  
10 psi max. pressure

### Product Features

- Oilless, pulse-free operation
- Motor mounted
- Low noise levels

### Includes

- Low and high speed motor options
- Internal sound suppression/filtration
- Thermal protector (on AC Models only)
- Capacitor (unattached)
- On board controls for motor commutation on 24V BLDC 0532
- External cooling fan on low speed 1032 (unattached)
- Sound attenuator VG2016 (unattached)

### Recommended Accessories

- Vacuum relief valve AA204
- Vacuum gauge AA641
- Pressure relief valve AA203
- Pressure gauge AA644B
- Repair kit K494A (0532), K497 (1032/1532)



Units shown without sound attenuator.

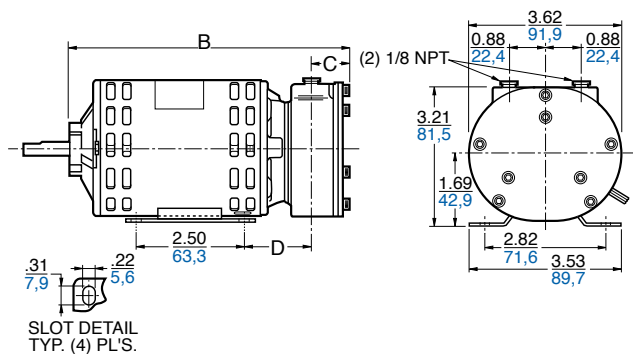
Only AC motor options shown.

**Note: Sound attenuator adds approximately 1" (25,4 mm).**

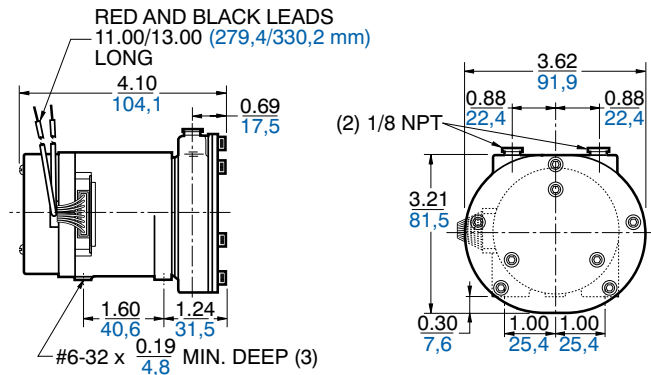
### Product Dimensions (inches, mm)

Dimensions are for reference only

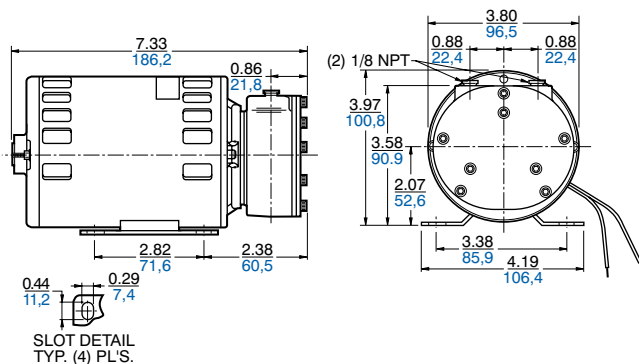
Models 0532, 1032



### Model 0532 24V BLDC



Model 1532



### Product Specifications

Model	B	C	D	Model	B	C	D
0532	166,6	17,5	33,5	0532	6.56	0.69	1.32
1032	176,0	22,1	38,4	1032	6.93	0.87	1.51

### Product Specifications

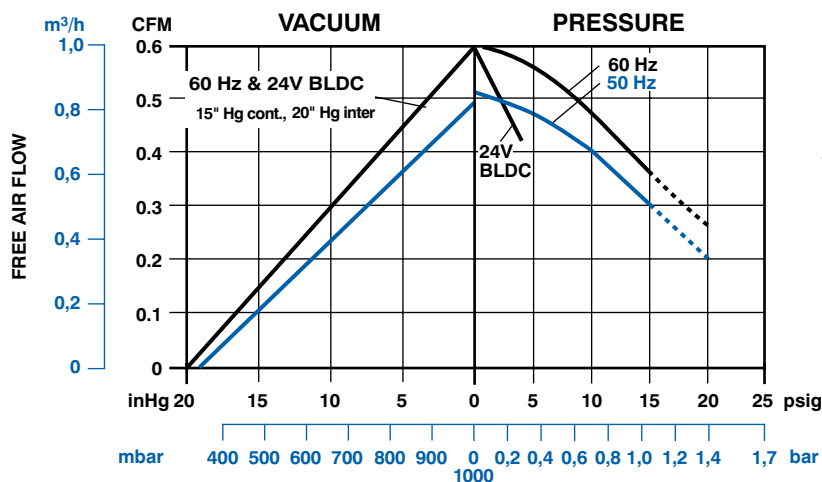
Note: All models listed can be used as either a vacuum pump or compressor.

Model Number	Motor	RPM		HP	kW	Thermal Protector	Net Weight	
		60 cycle	50 cycle				lbs	kg
0532-101-G621X	110/115-50/60-1	3450	2850	1/15	0,05	•	7	3,2
0532-101-G563B	24V BLDC	variable		1/30	0,02		4.5	2,1
1032-101-G619X	100-110/100-115-50/60-1	3450	2850	1/15	0,05	•	8	3,6
1032-101-G618X	220-240/230-50/60-1	3450	2850	1/15	0,05	•	8	3,6
1532-101-G288X	100-110/100-115-50/60-1	3450	2850	1/10	0,07	•	8	3,6
1532-101-G289X	220-240/230-50/60-1	3450	2850	1/10	0,07	•	8	3,6
1532-701-RM012*	220/240-50-1 IP44	—	2850	1/10	0,07	•	8	3,6

\*Available only in Europe.

### Product Performance

#### 0532 Series



**Note:**

24V BLDC performance is at approximately 3400 RPM.  
Operation beyond 4000 RPM is not recommended.

#### 1032, 1532 Series

