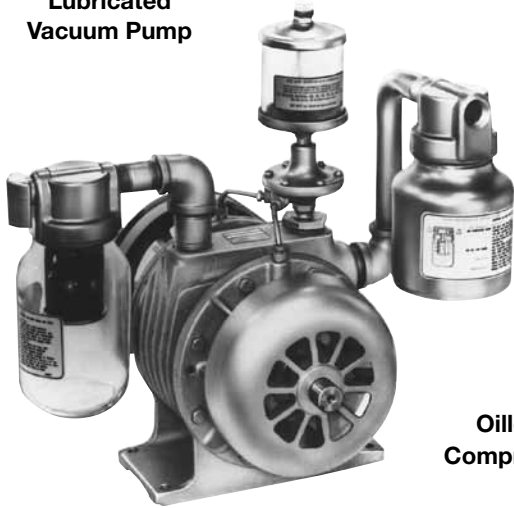
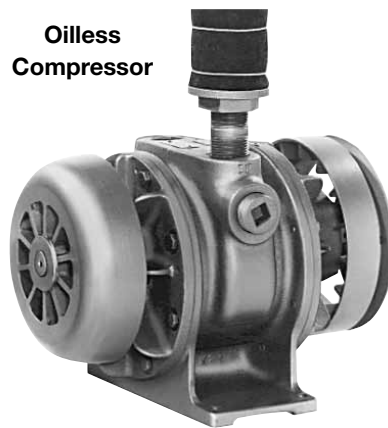


### Lubricated Vacuum Pump



### Oilless Compressor



### Model 3040 Series

- 20 inHg max. vacuum
- 10 psi max. pressure
- 31 CFM open flow (oilless)
- 40 CFM open flow (lubricated)

### Features

- Lubricated or oilless operation
- Pulley driven (multiple speeds available)
- Rugged construction/low maintenance
- Essentially pulse-free service

### Includes

- Filter AA900D (Oilless)
- AB650C (Lubricated) – Vacuum pumps
- Filter AD750 – Compressors
- Muffler AA900F (Oilless)
- AA900E (Lubricated) – Vacuum pumps
- Oil reservoir AA960A-1
- Vacuum-actuated lubricator V40C (Lubricated)
- Pressure lubricator AD730
- 6.5" P.D. pulley AC374B
- Fan AD236 – Vacuum pumps and oilless compressor

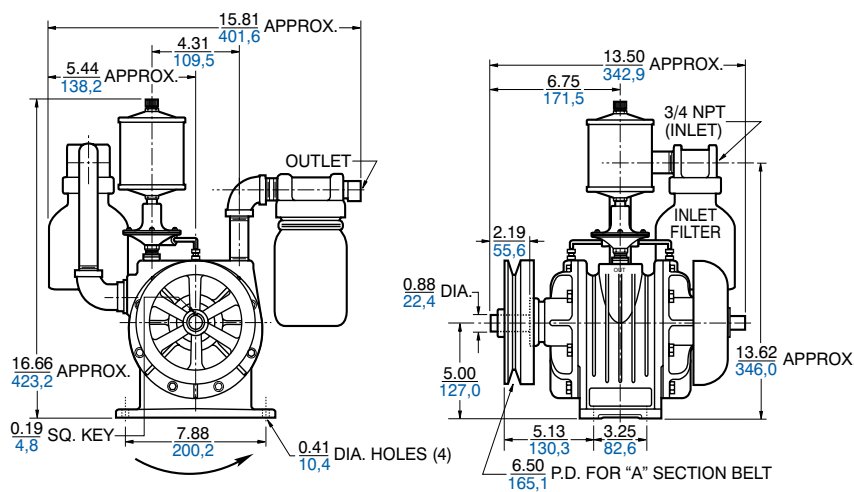
### Recommended Accessories

- Base AB898A – Vacuum pumps
- Base AB898B – Compressors
- Belt guard AB331A
- Vacuum relief valve AA308
- Pressure relief valve AA307
- Vacuum gauge AA640
- Pressure gauge AA644B
- Oil AD220 (Lubricated)
- Check valve AH326A – Vacuum pumps
- Repair kit K233A (Oilless), K232A (Lubricated)

### Product Dimensions (inches, mm)

Dimensions are for reference only

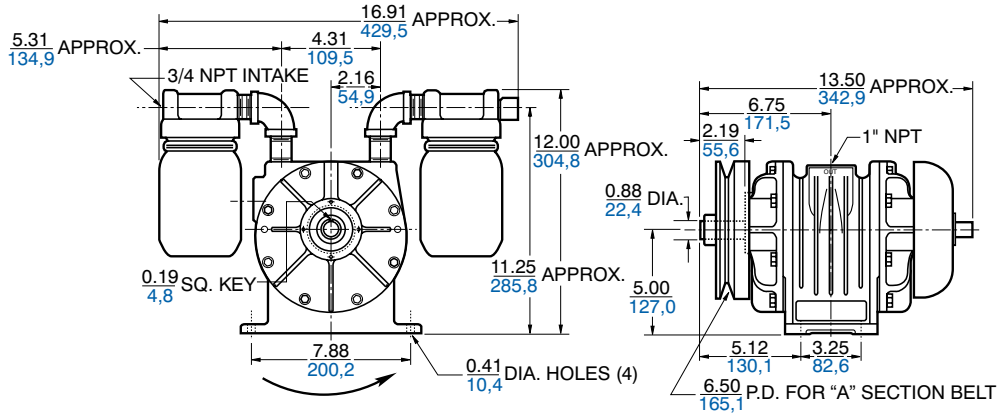
#### Lubricated Vacuum Pump



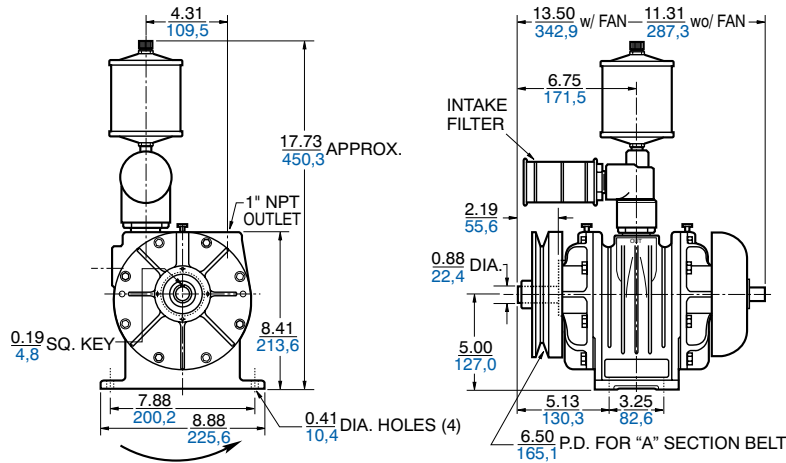
### Product Dimensions (inches, mm)

Dimensions are for reference only

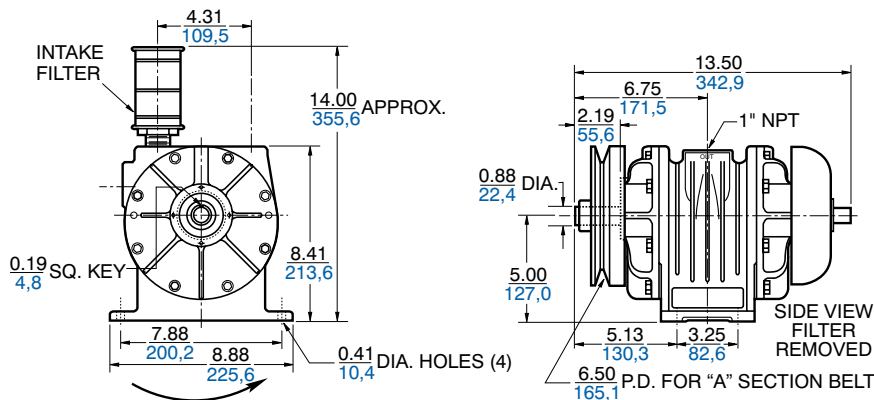
#### Oilless Vacuum Pump



#### Lubricated Compressor



#### Oilless Compressor



### Product Specifications

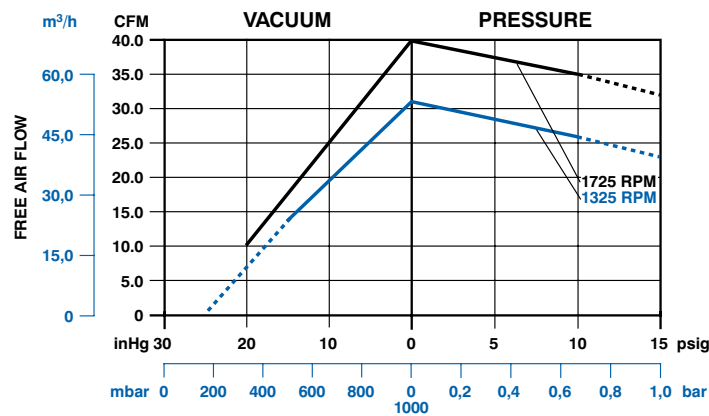
Note: "P" models are pressure, "V" models are vacuum.

Model Number	Motor	Base	Belt Guard	RPM	HP	kW	Net Weight	
							lbs	kg
<b>LUBRICATED</b>								
3040-P17A	—			1325	2	1,5	65	29,3
3040-P32B	—			1725	5	3,7	67	30,2
3040-V20B	—			1325	1½	1,1	69	31,1
3040-V29B	—			1725	2	1,5	71	32,0
3040-V29B-SD150-1*	415-50-3	•	•	1725	2	1,5	139	62,6
<b>OILLESS</b>								
3040-P118B	—			1060	1½	1,1	64	28,8
3040-P119F	—	•	•	1060	1½	1,1	94	42,3
3040-P120F-T336	230/460-60-3	•	•	1060	1½	1,1	126	56,7
3040-P119G	—	•	•	1325	3	2,2	98	44,1
3040-P120G-T338	230/460-60-3	•	•	1325	3	2,2	130	58,5
3040-P118B-SD110-1*	220/240-380/ 415-50-3 TEFC	•	•	1060	1½	1,1	130	58,5
3040-V115A	—			1325	2	1,5	70	31,5
3040-V116E	—	•	•	1060	1½	1,1	100	45,0
3040-V117E-T336	230/460-60-3	•	•	1060	1½	1,1	145	65,3
3040-V116F	—	•	•	1325	2	1,5	100	45,0
3040-V117F-T337	230/460-60-3	•	•	1325	2	1,5	148	66,6
3040-V115A-SD110-1*	220/240-380/ 415-50-3 IP54	•	•	1060	1½	1,1	145	65,3
3040-V115A-SD150-1*	415-50-3	•	•	1325	2	1,5	148	66,6

\*Available only in Europe.

### Product Performance

Lubricated



Oilless

