



**Vacuum Pump**



**Compressor**

### Model 1550 Series

20 inHg max. vacuum  
14.5 CFM open flow  
15 psi max. pressure

### Product Features

- Oilless operation
- Pulley driven (multiple speeds possible)
- Rugged construction/low maintenance
- Essentially pulse-free service

### Includes (On Standard Models)

- Filter AB600F (Vacuum pump)/AC433 (Compressor)
- Muffler AB600J (Vacuum pump)
- Cooling fan AC326C
- 5" P.D. pulley AB140

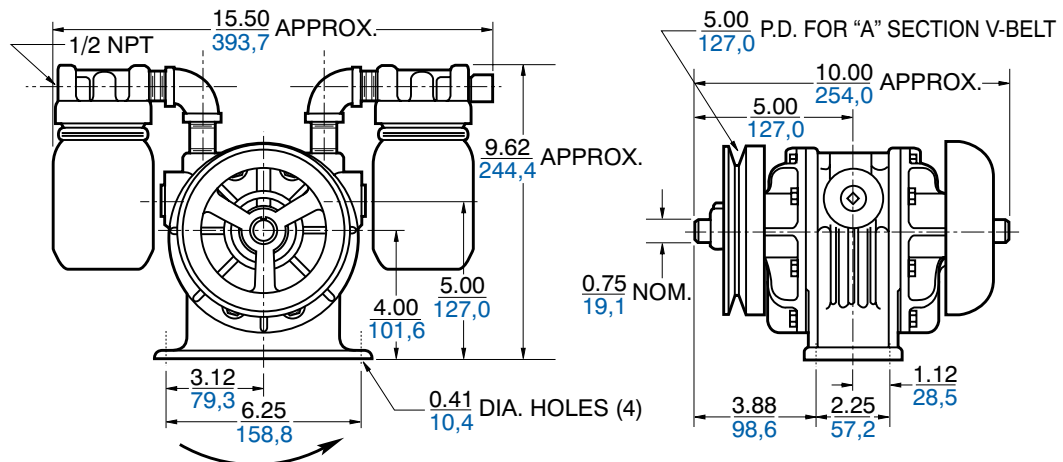
### Recommended Accessories

- Base AB897A (Vacuum pump)/AB889A (Compressor)
- Belt guard AB332B (Vacuum pump)
- Belt guard AB334B (Compressor)
- Vacuum relief valve AA840A
- Pressure relief valve AA600
- Vacuum gauge AA640
- Pressure gauge AA644B
- Repair kit K231A
- Repair kit K234 (0465), K235 (0765)

### Product Dimensions (inches, mm)

Dimensions are for reference only

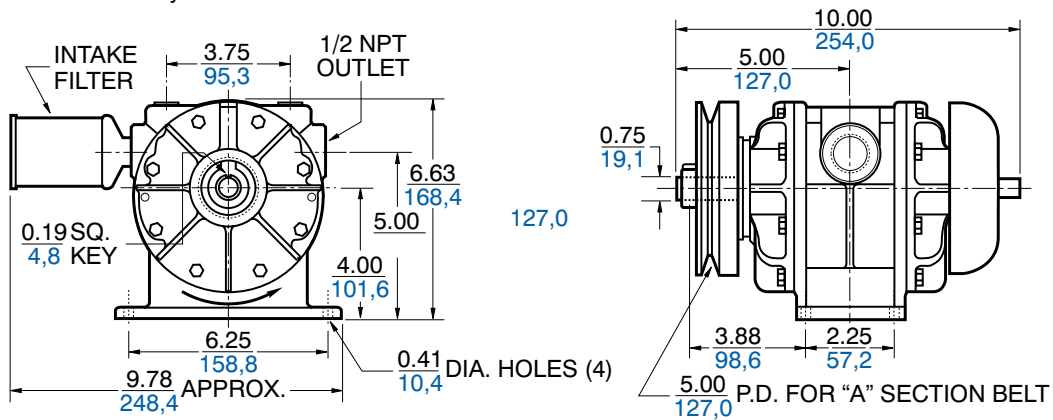
#### Vacuum Pump



### Product Dimensions (inches, mm)

Dimensions are for reference only

#### Compressor



### Product Specifications

Note: "P" models are pressure, "V" models are vacuum.

Model Number	Motor	Belt Guard	Base	Thermal Protector	RPM	HP	kW	Net Weight	
								lbs	kg
1550-P139B	—	—	—	—	1440	1	0,75	30	13,5
1550-P140J	—	•	•	—	1725	1 1/2	1,1	57	25,7
1550-141J-T336 (P)	230/460-60-3	•	•	—	1725	1 1/2	1,1	89	40,1
1550-P139B-SD110-1*	220/240-380/415-50-3 IP54	•	•	—	1725	1 1/2	1,1	89	40,1
1550-V136B	—	—	—	—	1725	3/4	0,56	33	14,9
1550-V137J	—	•	•	—	1440	1/2	0,37	52	23,4
1550-V138K-G34AX	115/230-60-1	•	•	•	1440	1/2	0,37	76	34,2
1550-V137K	—	•	•	—	1725	3/4	0,56	52	23,4
1550-V136B-SD100-1*	380/415-50-3	•	•	—	1725	1	0,75	80	36,0

\*Available only in Europe.

### Product Performance

