



Net wt. 3 lbs (1,36 kg)

Model 1034-101

20 inHg max. vacuum
Flow to 1.57 CFM
10 psi max. pressure

Model 1534-101

20 inHg max. vacuum
Flow to 2.2 CFM
10 psi max. pressure

Product Features

- Oilless, pulse free operation
- Rugged construction/low maintenance
- Low noise levels
- Internal sound suppression/filtration
- Includes sound attenuator VG2016 (unattached)

Recommended Accessories

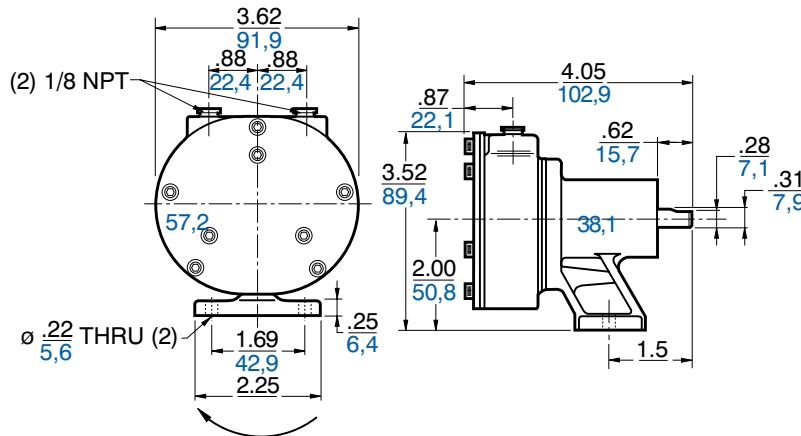
- Vacuum relief valve AA204
- Vacuum gauge AA641
- Pressure relieve valve AA203
- Pressure gauge AA644B
- Coupling (.31" x .31") AE540E
- Repair kit K497



Units shown without sound attenuator.

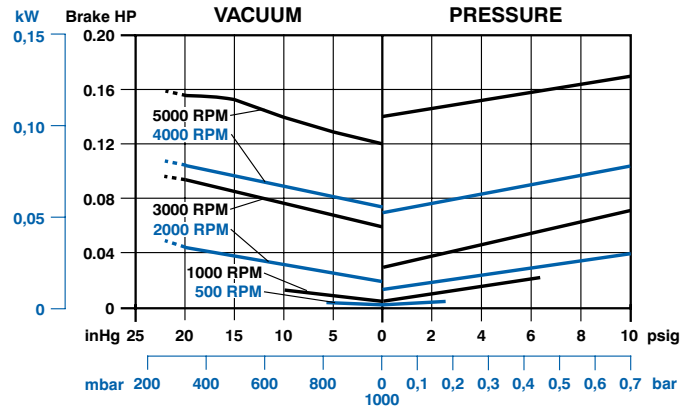
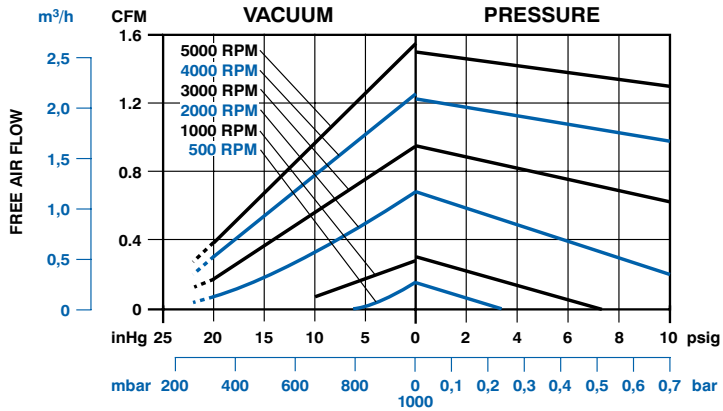
Product Dimensions (inches, mm)

Dimensions are for reference only



Product Performance

Model 1034



Model 1534

