



Units shown without sound attenuator.

Model 2032 series

26 inHg max. vacuum
2.4 CFM open flow
10 psi max. pressure

Model 3032 series

26.5 inHg max. vacuum
2.6 CFM open flow
10 psi max. pressure

Product Features

- Oilless, pulse-free operation
- Motor mounted
- Low noise levels

Includes

- Internal sound suppression/filtration
- Thermal protector (on all AC Models)
- Capacitor (unattached)
- Motor controls on 24V BLDC (unattached)
- Sound attenuator AK840A (unattached)

Recommended Accessories

- Vacuum relief valve AA204 or AA840A
- Vacuum gauge AA640
- Pressure relief valve AA600 or AA203
- Pressure gauge AA644B
- Repair kit K442A (2032), K554 (3032)

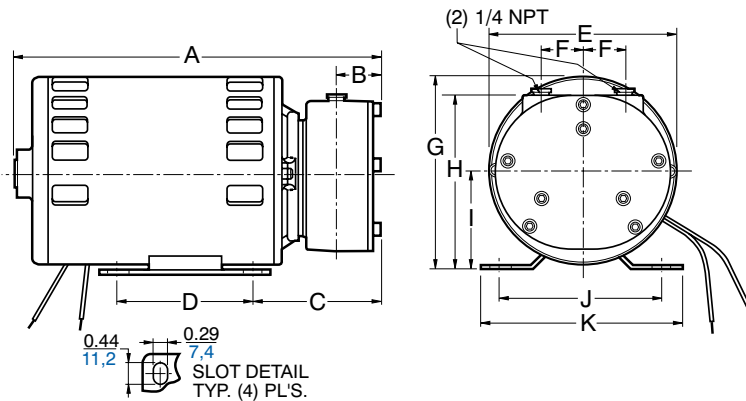
Product Dimensions (inches, mm)

Dimensions are for reference only

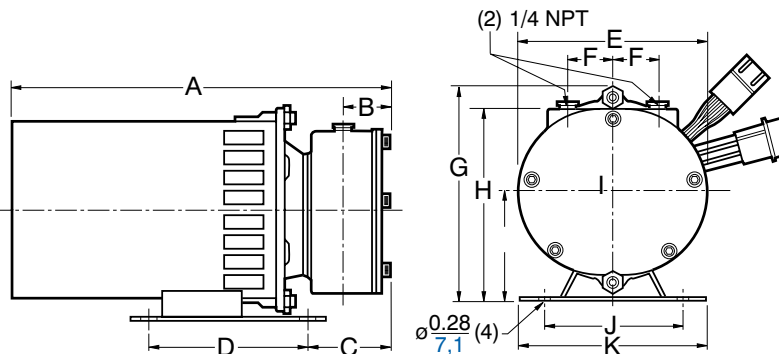
| Model | A | B | C | D | E | F | G | H | I | J | K |
|---------------|-------|------|------|------|------|------|-------|------|------|------|-------|
| 2032 | 192,3 | 23,6 | 66,5 | 71,6 | 98,0 | 22,4 | 101,6 | 91,4 | 52,6 | 85,9 | 106,4 |
| 2032 | 7.57 | .93 | 2.62 | 2.82 | 3.86 | .88 | 4.00 | 3.60 | 2.07 | 3.38 | 4.19 |
| 2032 24V BLDC | 182,9 | 23,6 | 40,1 | 76,2 | 91,9 | 22,4 | 102,6 | 91,2 | 52,6 | 66,8 | 89,4 |
| 2032 24V BLDC | 7.20 | .93 | 1.58 | 3.00 | 3.62 | .88 | 4.04 | 3.59 | 2.07 | 2.63 | 3.52 |
| 2032 12V DC | 201,7 | 23,6 | 58,4 | 71,6 | 99,6 | 22,4 | 103,1 | 90,9 | 52,3 | 85,8 | 106,4 |
| 2032 12V DC | 7.94 | .93 | 2.30 | 2.82 | 3.92 | .88 | 4.06 | 3.58 | 2.06 | 3.38 | 4.19 |
| 3032 | 179,8 | 26,4 | 69,9 | 71,6 | 98,0 | 22,4 | 101,6 | 93,7 | 52,6 | 85,8 | 104,6 |
| 3032 | 7.08 | 1.04 | 2.75 | 2.82 | 3.86 | .88 | 4.00 | 3.69 | 2.07 | 3.38 | 4.12 |

Note: Sound attenuator adds approximately 1.25" (31,8 mm) to dimension H.

Models 2032, 3032



Model 2032 24V BLDC Motor controls not shown.



Product Specifications

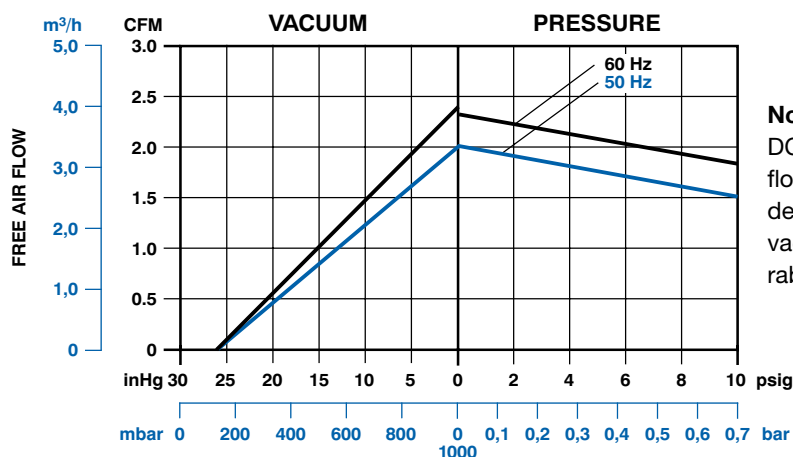
Note: All models listed can be used as either a vacuum pump or compressor.

| Model Number | Motor | RPM | | HP | kW | Thermal Protector | Net Weight | |
|-----------------|-------------------------|----------|----------|-----|------|-------------------|------------|-----|
| | | 60 cycle | 50 cycle | | | | lbs | kg |
| 2032-101-G616X | 220-240/230-50/60-1 | 3450 | 2850 | 1/8 | 0,09 | • | 9 | 4,1 |
| 2032-101-G644 | 24V BLDC | variable | | 1/8 | 0,09 | | 9 | 4,1 |
| 2032-101-G617 | 12V | 3000 | | 1/8 | 0,09 | | 10 | 4,5 |
| 3032-101A-G609X | 100-110/100-115-50/60-1 | 3450 | 2850 | 1/6 | 0,12 | • | 10 | 4,5 |
| 3032-701-RM112* | 220/240-50-1 IP44 | — | 2850 | 1/6 | 0,12 | • | 10 | 4,5 |

*Available only in Europe.

Product Performance

Model 2032



Note:

DC models can achieve open flows between 1.25 and 1.85 CFM depending on varying RPM. max. vacuum and pressure is comparable to AC models.

Model 3032

